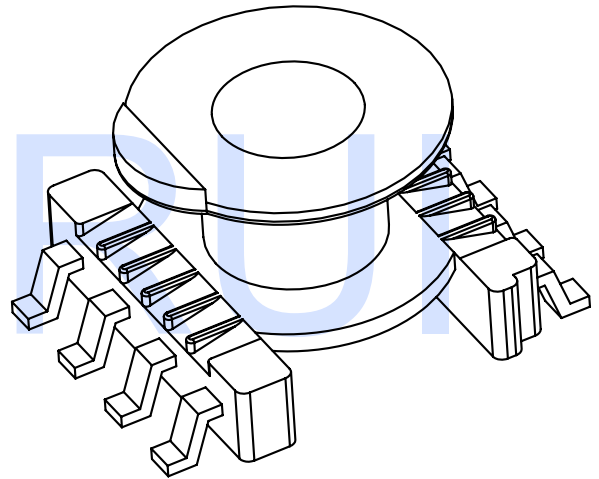
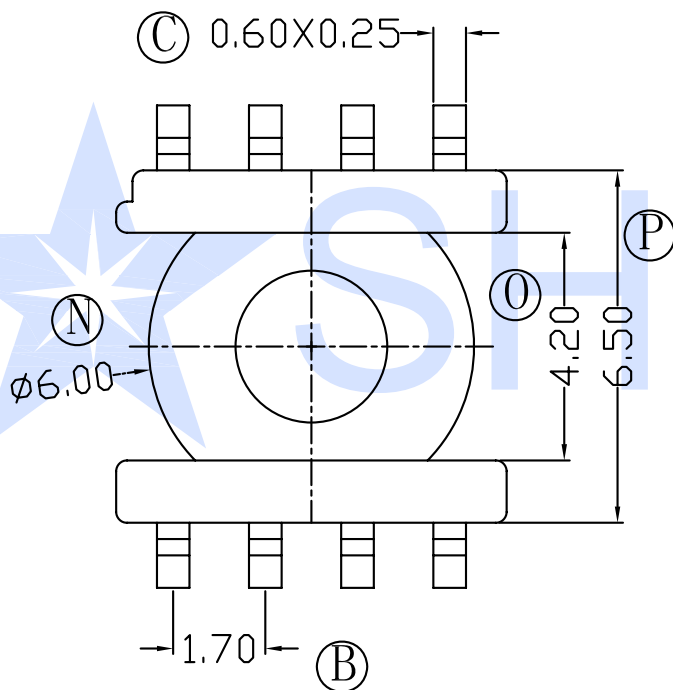
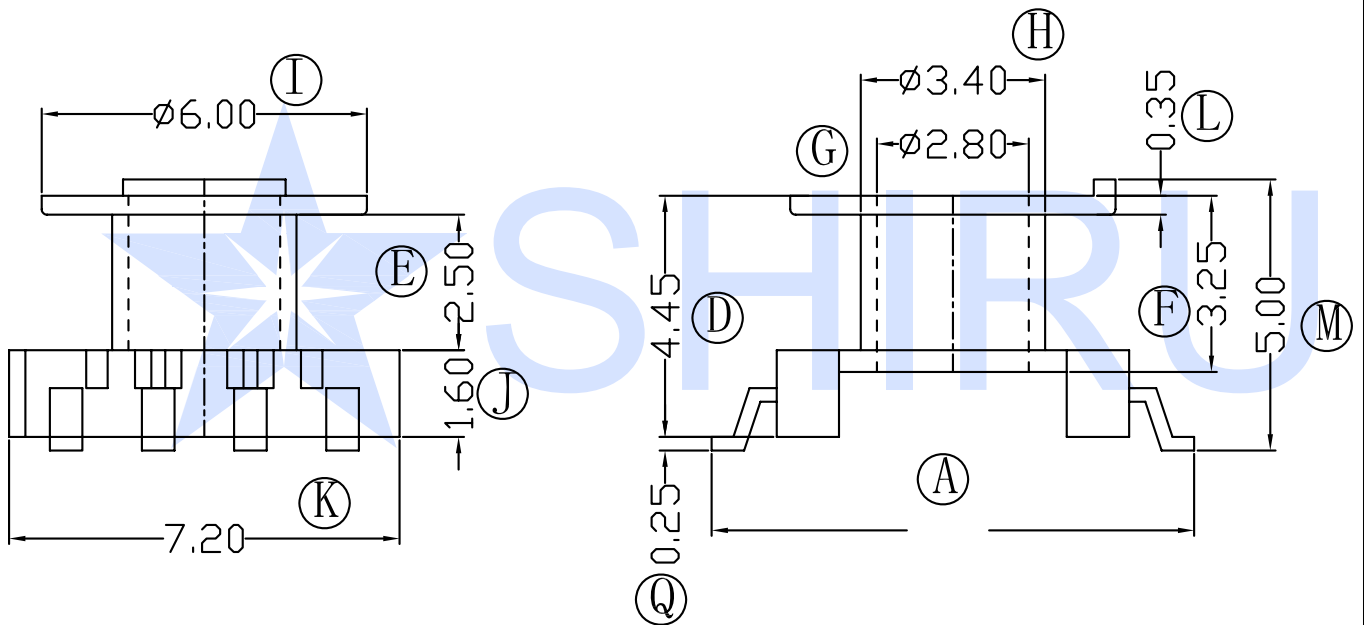


P/N

SR-SMD ER7.5

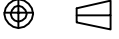


# Hefei Shirui Electronic Technology Co.,Ltd

TEL: (0086) 55165232650

sales@shiruitech.com

www.shiruitech.com

SR NO. <b>SR-SMD ER7.5</b>	MATERIAL: LCP-E4008	UNIT: mm	TOLERANCE	DRN.	WILL H
MODEL NAME! <b>SMD-ER7.5-8P-1S V</b>	UL REC: UL 94V-0		0 L 4 $\pm 0.10$	CHD.	IRINA LEE
	ANGLE: $\pm^\circ$		4 L 16 $\pm 0.20$	ISSD.	JAMES HU
	 SCALE 1:1		16 L 64 $\pm 0.30$		
			PIN PITCH $\pm 0.05$		